

Accessories



Download



ACCESSORIES [link: www.nuovadefim.com/en/content/download-area](http://www.nuovadefim.com/en/content/download-area)



POSTS P. 58

CAPS_ P. 64

**DEFENDER
ACCESSORIES**_ P. 66

ASSEMBLY SYSTEMS_ P. 61
FIXING SYSTEMS
ACCESSORIES
SCREWS

**RECINTHA®
ACCESSORIES**_ P. 65

**GRATING
ACCESSORIES**_ P. 67

FENCING ACCESSORIES_ P. 62



SQUARE POST 60x60 mm

- > 60x60 mm square post, thickness 1.2 mm
- > Hot-dip galvanized and polyester powder coated finish
- > Available models: with base plate or for concrete anchoring
- > Base plate size: 150x80x4 mm with four Ø 12 mm holes

Accessory for

- > RECINTHA® N/L [page 28]
- > RECINTHA® 202 [page 29]
- > RECINTHA® P.G. [page 30]

Product code

RCPN0060XXXX



ANTICLEA POST Ø 50 mm

- > Ø 50 mm round post, thickness 2 mm
- > Material: hot-dip galvanized steel according to UNI EN ISO 1462; polyester powder coated finish also available
- > Available models: with base plate, or for concrete anchoring
- > Base plate size: 130x60x7 mm with two Ø 12 mm holes
- > Slots provided for fixing straight fence sections or corners

Accessory for

- > ANTICLEA® [page 38]

Product code

PIA50XXXX



ROUND POST Ø 40 mm

- > Ø 40 mm round post, thickness 1.2 mm
- > Hot-dip galvanized and polyester powder coated finish
- > Available models: with base plate or for concrete anchoring
- > Base plate size: 150x80x4 mm with four Ø 12 mm holes

Accessory for

- > RECINTHA® N/L [page 28]
- > RECINTHA® P.G. [page 30]

Product code

RPCP0040XXXX



ROUND POST Ø 40 mm GIGLIO STYLE

- > Ø 40 mm round post, thickness 1.2 mm, zinc alloy top decorations
- > Hot-dip galvanized and micaceous grey polyester powder coated finish
- > Available models: with base plate or for concrete anchoring
- > Base plate size: 150x80x4 mm with four Ø 12 mm holes

Accessory for

- > RECINTHA® GIGLIO [page 39]

Product code

RGPN0000XXXX



RECTANGULAR POST 60x120 mm

- > 60x120 mm rectangular post, thickness 2 mm
- > Hot-dip galvanized and polyester powder coated finish
- > Available models: for concrete anchoring
- > With either threaded inserts to suit mesh clips, or with cover plate and security bolt

Accessory for

- > RECINTHA® SAFETY [page 31]

Product code

RGPNSPECIALEXXX



OMEGA POST & FLAT COVER PLATE 60x40x25x3 mm

- > 60x40x25 mm Omega post with 90x4 mm cover plate
- > Predrilled for security bolt installation
- > Hot-dip galvanized and polyester powder coated finish
- > Available model: for concrete anchoring

Accessory for

- > RECINTHA® SAFETY [page 31]
- > RECINTHA® 202 [page 29]

Product code

RCOM3060XXXX

Flat cover plate: RCPT4090XXXX

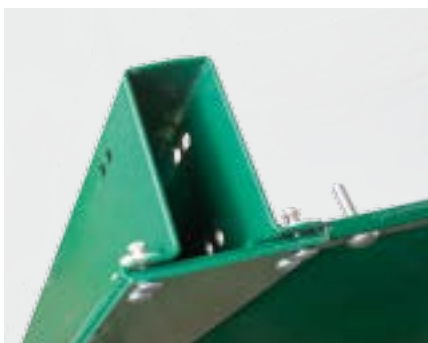


POSTS

Product Specifications



Download



OMEGA POST & FLAT COVER PLATE 120x60x30x3 mm

- > 120x60x30x3 mm Omega post with 120x4 mm cover plate
- > Predrilled for security bolt installation
- > Hot-dip galvanized and polyester powder coated finish
- > Available model: for concrete anchoring

Accessory for

- > RECINTHA® 202 [page 29]
- > RECINTHA® SAFETY [page 31]
- > RECINTHA® STADIUM [page 32]

Product code

RCOM3120XXXX

Flat plate: RCPT40120XXXX



SQUEEZED ROUND TUBE POST Ø 50 mm

- > Ø 50 mm round post, thickness 2 mm
- > Material: hot-dip galvanized steel according to UNI EN ISO 1462; polyester powder coated finish also available
- > Available models: with base plate, or for concrete anchoring
- > Base plate size: 130x60x7 mm with two Ø 12 mm holes
- > Slots provided for fixing straight fence sections or corners

Accessory for

- > PLEIONE® [page 42]
- > STEROPE® [page 40]

Product code

PIA50XXXX



FLAT BAR POST 80x8 mm

- > 80x8 mm flat bar post for grating panels over 2 metres height
- > Material: hot-dip galvanized steel according to UNI EN ISO 1462; polyester powder coated finish also available
- > Available models: with base plate installation, or for concrete anchoring
- > Base plate size: 150x80x8 mm with four Ø 12 mm holes
- > Provided with 3 fixing holes, one of which is for intermediate fixing > see page 61

Accessory for

- > STEROPE® [page 40]
- > BRITOSTEROPE® [page 43]
- > PLEIONE® [page 42]

Product code

PIA808XXXX



FLAT BAR POST 60x7 mm

- > 60x7 mm flat bar post for grating panels up to 2 metres height
- > Material: hot-dip galvanized steel according to UNI EN ISO 1462; polyester powder coated finish also available
- > Available models: with base plate installation, or for concrete anchoring
- > Base plate size: 130x60x7 mm with two Ø 12 mm holes
- > Provided with 2 fixing holes; for h. 1986 mm panels, post is equipped with an extra central hole for intermediate fixing > see page 61

Accessory for

- > STEROPE® [page 40]
- > BRITOSTEROPE® [page 43]
- > PLEIONE® [page 42]
- > ACUMINA® [page 36]
- > CELENO® [page 37]

Product code

PIA607XXXX



WELDED "C" SECTION POST 49x25x11 mm

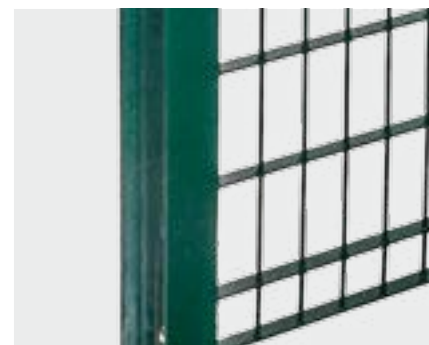
- > 49x25x11 mm C section post, thickness 2 mm, directly welded to Merope panel
- > Material: hot-dip galvanized steel according to UNI EN ISO 1462; polyester powder coated finish also available
- > Available models: with base plate installation, or for concrete anchoring
- > Base plate size: 130x60x7 mm with two Ø 12 mm holes
- > Provided with a top hole for fixing each panel to the next one

Accessory for

- > MEROPE® [page 44]

Product code

PIAMERXXXX



IPE100 POST

- > IPE100 POST
- > Material: hot-dip galvanized steel according to UNI EN ISO 1462; polyester powder coated finish also available
- > Available model for concrete anchoring

Accessory for

- > STADION® [page 45]

Product code

PIA1XXXX



POSTS

Product
Specifications



Download



CUSTOM MADE POSTS FOR SPECIFIC PROJECTS

> Posts with different profiles can also be provided
for specific requirements

Accessory for

> all fencing systems [with the exception of DEFENDER]

Product code

For grating fences: PIASPEC....

For mesh fences: RCPNSPEC....



FIXING SYSTEMS

MP UNIVERSAL CLIP 60x60 mm SQUARE POST

- > MP (Multi-Purpose) universal joint clip in black reinforced plastic
- > It offers different types of fixing solutions, either using the sides or the central notches (check the post centres distance on the technical table)
- > Specifically designed shape to facilitate stepped and/or all degrees corner installation
- > NUOVA DEFIM SPA patent registered

Accessory for

- > RECINTHA® N/L [page 28]
- > RECINTHA® 202 [page 29]
- > RECINTHA® P.G. [page 30]

Product code

49001023INOX



FIXING SYSTEMS

CRAB-TYPE CLIP Ø 40 mm ROUND POST

- > Crab-type joint clip in black reinforced plastic
- > It offers different types of fixing solutions, either using the sides or the central notches (check the post centres distance on the technical table)
- > Specifically designed shape to facilitate stepped and/or all degrees corner installation

Accessory for

- > RECINTHA® N/L [page 28]
- > RECINTHA® P.G. [page 30]
- > RECINTHA® GIGLIO [page 39]

Product code

GRANCHIOXXX



FIXING SYSTEMS

HIDDEN PIN

- > Fully hidden fixing system
- > Although invisible once installed, it guarantees security

Accessory for

- > ANTICLEA® [page 38]

Product code

SPINETTANTICZ



FIXING SYSTEMS

MESH CLIP

- > Pre-drilled fixing clip
- > Easy to install, it guarantees a high level of security
- > Available both in hot-dip galvanized and polyester powder coated finish

Accessory for

- > RECINTHA® SAFETY [page 31]

Product code

MESHCLIPX...



ACCESSORIES

INTERMEDIATE FASTENER

- > Optional fixing bracket for grating systems only when exceeding h. 1986 mm (always provided for the specified sizes)
- > The special "fork" shape improves the rigidity of the panel
- > Material: electro-galvanized finish

Accessory for

- > STEROPE® [page 40]
- > PLEIONE® [page 42]
- > BRITOSTEROPE® [page 43]

Product code

ATTINXXX...



ACCESSORIES

STRAIGHT BRACKET

- > Bracket to joint on site cut to size grating fence panels to post
- > Material: electro-galvanized finish
- > Polyester powder coated finish is also available

Accessory for

- > STEROPE® [page 40]
- > PLEIONE® [page 42]
- > BRITOSTEROPE® [page 43]

Product code

SQUTELX....

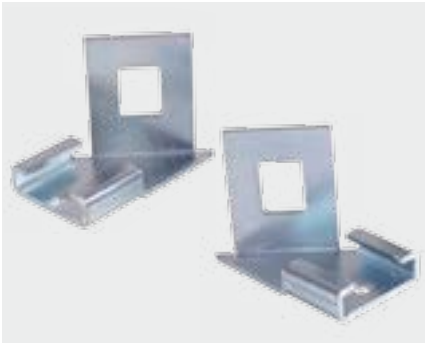


ASSEMBLY SYSTEMS

Product Specifications



Download



ACCESSORIES

45° BRACKET

- > Bracket to joint on site cut to size grating fence corner panels to post
- > Material: electro-galvanized finish
- > Polyester powder coated finish is also available

Accessory for

- > STEROPE® [page 40]
- > PLEIONE® [page 42]
- > BRITOSTEROPE® [page 43]

Product code

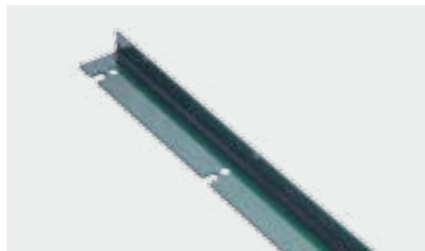
Right: SQUTEL45DXXXX
 Left: SQUTEL45SXXXX

FENCING ACCESSORIES

Product Specifications



Download



FIXING SYSTEMS

ANTI-INTRUSION SPIKES

- > Optional anti-intrusion accessory to fix to the grating fence systems top
- > Length 1992 mm - height 55 mm approximately
- > Hot dip galvanized finish according to UNI EN ISO 1461 norm
- > Polyester powder coated finish also available

Accessory for

- > STEROPE® [page 40]
- > PLEIONE® [page 42]
- > BRITOSTEROPE® [page 43]

Product code

Hot-dip galvanized: KITANTINTRUSZ
 Paint coated: KITANTINTRUSV

ACCESSORIES

INCLINED EXTENSION FOR ALL SQUARE, RECTANGULAR AND OMEGA POSTS IN L SECTION 50x30x4 mm

- > Fencing accessory to install barbed wire
- > Provided with 3 holes to fix barbed wire
- > Single or double version available on request
- > Material: hot-dip galvanized finish according to UNI EN ISO 1461 norm
- > Polyester powder coated finish also available
- > Suitable for posts: 60x60 mm square tube, 60x7 mm and 80x8 mm flat bar, 60x40 mm and 120x60 mm omega sections

Accessory for

- > RECINTHA® N/L [page 28]
- > RECINTHA® 202 [page 29]
- > RECINTHA® SAFETY [page 31]

Product code

RCPNOFFENDXXX



SCREWS BOLTS



M6x20 TTQST SS SCREW M6 SS SECURITY BOLT

Accessory for
> RECINTHA® STADIUM [page 32]
Product code
BULANT0620INOX



M6x20 HEXAGON HEAD SCREW M6 SS HEXAGON BOLT

Accessory for
> MEROPE® [page 44]
Product code
BUL0620INOX



M6x35 TTQST SS SCREW M6 SS BOLT

Accessory for
> RECINTHA® SAFETY [page 31]
> RECINTHA® STADIUM [page 32]
Product code
BULANT0635INOX



M8x20 TTQST SS SCREW M8 SS SECURITY BOLT

Accessory for
> RECINTHA® STADIUM [page 32]
Product code
BULANT0820INOX



M8x20 TBEI NERINOX SCREW M8 SS KNURLED FLANGED BOLT

Accessory for
> RECINTHA® GIGLIO [page 39]
Product code
NOT SOLD SEPARATELY



M8x35 TTQST SS SCREW M8 SS SECURITY BOLT

Accessory for
> RECINTHA® SAFETY [page 31]
Product code
BULANT0835INOX

1 M8x60 TTQST SS SCREW M8 SS SECURITY BOLT

Accessory for
> RECINTHA® SAFETY [page 31]
Product code
BULANT0860INOX

2 M8x80 TTQST SS SCREW M8 SS SECURITY BOLT

Accessory for
> RECINTHA® SAFETY [page 31]
> RECINTHA® STADIUM [page 32]
Product code
BULANT0880INOX



3 M10x30 TTQST SS SCREW M10 SS SECURITY BOLT

Accessory for
> ACUMINA® [page 36]
> CELENO® [page 37]
> STEROPE® [page 40]
> PLEIONE® [page 42]
> BRITOSTEROPE® [page 43]
> STADION® [page 45]
> TALIA® VENTUS [page 46]
> TALIA® SCREEN VENTUS [page 47]
> TALIALIVE [page 48]
Product code
BULANT1030INOX

4 M10x30 HEXAGON HEAD SCREW M10 SS HEXAGON BOLT

Accessory for
> ACUMINA® [page 36]
> CELENO® [page 37]
> STEROPE® [page 40]
> PLEIONE® [page 42]
> BRITOSTEROPE® [page 43]
> STADION® [page 45]
> TALIA® VENTUS [page 46]
> TALIA® SCREEN VENTUS [page 47]
> TALIALIVE [page 48]
Product code
BUL1030INOX





SQUARE CAP 60x60 mm

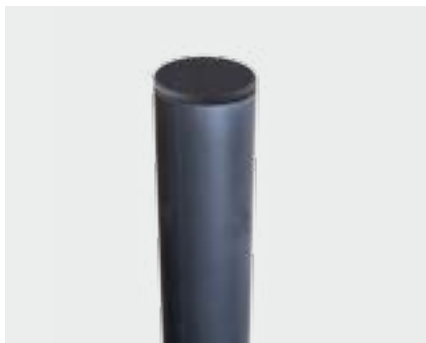
- > The cap fully seals off the post, preventing the entry of water
- > Material: Moplen®

Accessory for

- > RECINTHA® N/L [page 28]
- > RECINTHA® 202 [page 29]

Product code

RCAC00000006



ROUND CAP Ø 50 mm

- > The cap fully seals off the post, preventing the entry of water
- > Material: Moplen®

Accessory for

- > ANTICLEA® [page 38]
- > STEROPE® [page 40]
- > PLEIONE® [page 42]

Product code

TAPPIATUBO50



ROUND CAP Ø 40 mm

- > The cap fully seals off the post, preventing the entry of water
- > Material: Moplen®

Accessory for

- > RECINTHA® N/L [page 28]
- > RECINTHA® P.G. [page 30]

Product code

RCAC00000026



MOPLEN CAP

- > The accessory tops the post and complete the fence, joining together the two adjacent panels
- > Material: Moplen®

Accessory for

- > MEROPE® [page 44]

Product code

TAPPOMEROPE



RECTANGULAR CAP 120x60 mm

- > The cap fully seals off the post, preventing the entry of water
- > Material: Moplen®

Accessory for

- > RECINTHA® SAFETY [page 31]

Product code

RCAC00000007



OMEGA POST CAP

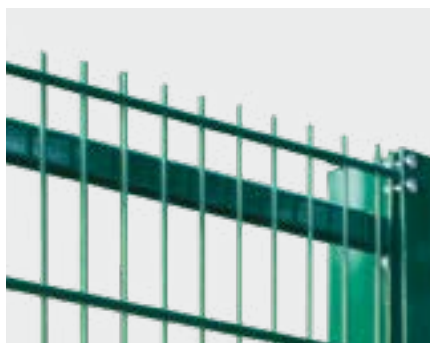
- > Omega post cap in pre-galvanized and painted steel

Accessory for

- > RECINTHA® 202 [page 29]
- > RECINTHA® SAFETY [page 31]

Product code

LAMCHIUSXXX



U-SECTION PROFILE 35x40x5 mm

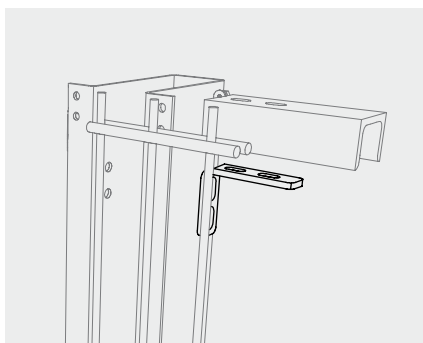
- > U-section profile used on the RECINTHA® STADIUM upper part to strengthen the system
- > Material: hot-dip galvanized and polyester powder coated finish

Accessory for

- > RECINTHA® STADIUM [page 32]

Product code

RCCU4035XXXX



POST/PROFILE FIXING BRACKET

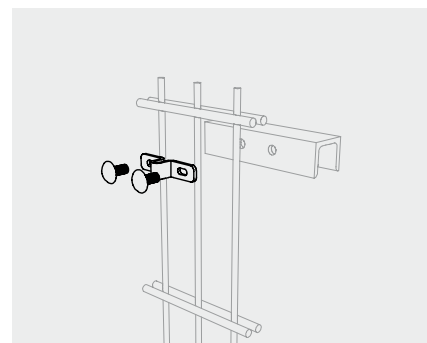
- > RECINTHA® STADIUM accessory
- > Used for fixing the U section profile to the Omega post
- > Material: hot-dip galvanized and polyester powder coated finish

Accessory for

- > RECINTHA® STADIUM [page 32]

Product code

RCSQ520014X



POST/PANEL FIXING CLIPS

- > RECINTHA® STADIUM Accessory
- > Used for fixing the panel to the U section profile
- > Material: hot-dip galvanized and polyester powder coated finish

Accessory for

- > RECINTHA® STADIUM [page 32]

Product code

RCSQ03150097X



RAILING BARS (TOP AND BOTTOM)

- > RECINTHA® SAFETY U-section profile optional accessories
- > Makes RECINTHA® SAFETY installation easier and improves its straightness
- > Can be installed either at panel top or bottom and at both
- > Screwed to the mesh
- > Material: hot-dip galvanized and polyester powder coated 30x16x30 mm U-shaped profile predrilled to fix it to the panel

Accessory for

- > RECINTHA® SAFETY [page 31]

Product code

RCCM00402000...



HANDRAIL

- > To hide panel spikes, making RECINTHA® N/L short sizes suitable in playgrounds
- > Length 2000 mm or 2500 mm
- > Tube Ø 40 mm, thickness 1.2 mm
- > Produced with a cut in the length to slide it in the panel top
- > Material: hot-dip galvanized and polyester powder coated finish

Accessory for

- > RECINTHA® P.G. [page 30]

Product code

RCCM00402000...



HANDRAIL JOINT/ CORNER CONNECTION

- > RECINTHA® PG accessory providing continuity in curved or straight handrail sections
- > Material: Moplen®

Accessory for

- > RECINTHA® P.G. [page 30]

Product code

Handrail joint: RCAC00000003

Handrail corner connection: RCAC000000025



GATE KIT

- > Accessory for DEFENDER HD pedestrian and vehicular gates
- > Used to join the gate to the DEFENDER panel, acting as an "hinge"
- > Material: hot-dip galvanized and high-visibility epoxy powder coated (orange RAL 2004)

Accessory for

- > DEFENDER HD [page 33]

Product code

DFKT0000010



PEDESTRIAN GATE

- > Accessory for DEFENDER HD system
- > Gives access to pedestrians in areas where temporary fencing systems is used
- > Overall width 1054 mm - height 2018 mm
- > Made of shaped 38 mm tubular profile with welded mesh 254x101.6 mm infill panel, wires 2.8x3.8 mm
- > Provided with handle
- > Material: hot-dip galvanized and high-visibility epoxy powder coated (Orange RAL 2004)

Accessory for

- > DEFENDER HD [page 33]

Product code

DFH20001000X



VEHICULAR GATE

- > Accessory for DEFENDER HD system
- > Gives access to vehicles in areas where temporary fencing systems is used
- > Overall width 2070 mm - height 2018 mm
- > Made of shaped 38 mm tubular profile with welded mesh 254x101.6 mm infill panel, wires 2.8x3.8 mm
- > Provided with handle
- > Material: hot-dip galvanized and high-visibility epoxy powder coated (Orange RAL 2004)

Accessory for

- > DEFENDER HD [page 33]

Product code

DFCH20002200X



SECURITY JOINTS

- > Optional accessory used to join two adjacent panels for enhanced perimeter security
- > Made of high-visibility reinforced plastic (Orange RAL 2004)

Accessory for

- > DEFENDER HD [page 33]
- > DEFENDER MARATHON® [page 34]
- > DEFENDER CITY® [page 35]

Product code

DFAC0000001



WIND BRACE

- > Optional accessory for DEFENDER HD system enhanced resistance to wind push
- > Length 1550 mm
- > Material: pre-galvanized tube

Accessory for

- > DEFENDER HD [page 33]
- > DEFENDER CITY® [page 35]

Product code

DFST00001700



CONCRETE BLOCKS

- > Base for DEFENDER HD system installation provided with four Ø 38 mm or Ø 40 mm holes
- > Size 700x190 mm H 130 mm
- > Approximate weight 30 kg
- > Material: cement with steel armour

Accessory for

- > DEFENDER HD [page 33]
- > DEFENDER MARATHON® [page 34]
- > DEFENDER CITY® [page 35]

Product code

Ø 38 mm holes: DFBS00000001C

Ø 40 mm holes: DFBS00000002C



DEFENDER ACCESSORIES

Product Specifications



Download



ABS PLASTIC BLOCKS

- > Base for DEFENDER HD system installation provided with four \varnothing 38 mm or \varnothing 40 mm holes
- > Size 660x240 mm H 100 mm
- > Approximate weight 30 kg
- > Material: high-visibility plastic coated concrete (Orange RAL 2004)

Accessory for

- > DEFENDER HD [page 33]
- > DEFENDER MARATHON® [page 34]
- > DEFENDER CITY® [page 35]

Product code

- \varnothing 38 mm holes: DFBS00000001P
- \varnothing 40 mm holes: DFBS00000002P



GRATING ACCESSORIES

Product Specifications



Download



AGLAIA TOP FASTENING CLIP

- > Accessory used for fixing horizontal grating panels to the steel structure making them safer
- > Used for top fixing
- > Available for mesh sizes 11-15mm, 22-25mm and 30-34mm; each one for either 25-40 mm or 50-80 mm bearing flat bars, respectively
- > Material: hot-dip galvanized material according to UNI EN ISO 1461 norm

Accessory for

- > All gratings

Product code

Top fixing: GAN#XXXXXSOPZ



AGLAIA BOTTOM FASTENING CLIP

- > Accessory used for fixing horizontal grating panels to the steel structure making them safer
- > Used for bottom fixing
- > Available for mesh sizes 11-15mm, 22-25mm and 30-34mm; each one for either 25-40 mm or 50-80 mm bearing flat bars, respectively
- > Material: hot-dip galvanized material according to UNI EN ISO 1461 norm

Accessory for

- > All gratings

Product code

Bottom fixing: GAN#XXXXXSOTZ



CONNECTION CLIPS

- > Accessory for connecting adjacent horizontal grating panels. Available for mesh size 11-15 mm for bottom fixing only and for mesh size 22-25 mm and 30-34 mm for both top and bottom fixing

Accessory for

- > All gratings

Product code

Top fixing: GANCO#XXXXXSOPZ

Bottom fixing: GANCO#XXXXXSOTZ